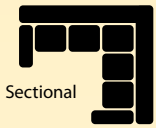


NEW

Remus Sofa Bed

Residential/Commercial



Sectional



Sofa



Love Seat



Single

- Ideal for commercial application
- Freestanding mechanism. No frame required
- Arms, back and front panel are removeable from the mechanism
- Automatic cushion removal & storage
- Posture slat bed base + steel mesh seat base
- Back and arm removal makes delivery up stairways and through small doorways much easier
- Tubing is 30 mm thick steel (normally 25 mm)
- Plastic feet to protect flooring
- 196 cm length innerspring mattress



*** See over for assembly instructions and specifications ***

SHANN
AUSTRALIA

Victoria
2/23 Bell Street
Preston Vic 3072
p: (03) 8480 0800
f: (03) 8480 0829

New South Wales
13 Toohey Road
Wetherill Park NSW 2164
p: (02) 9756 2466
f: (02) 9756 2270

Queensland
1/223-225 Ewing Road
Woodridge QLD 4114
p: (07) 3808 7277
f: (07) 3808 7544

42

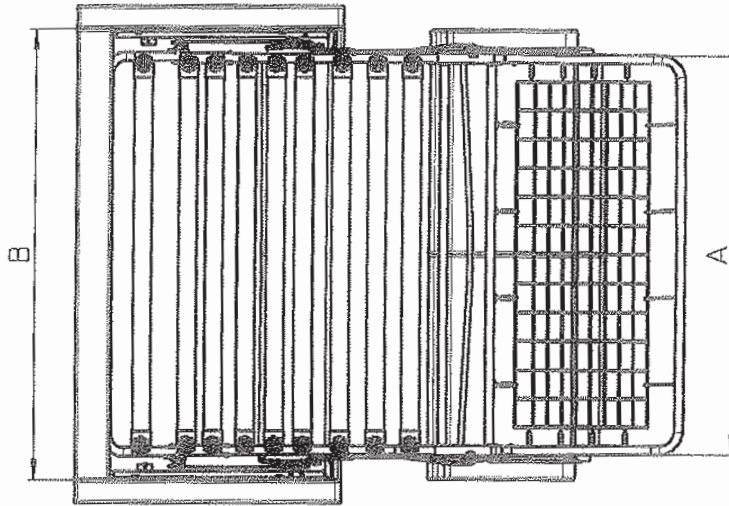
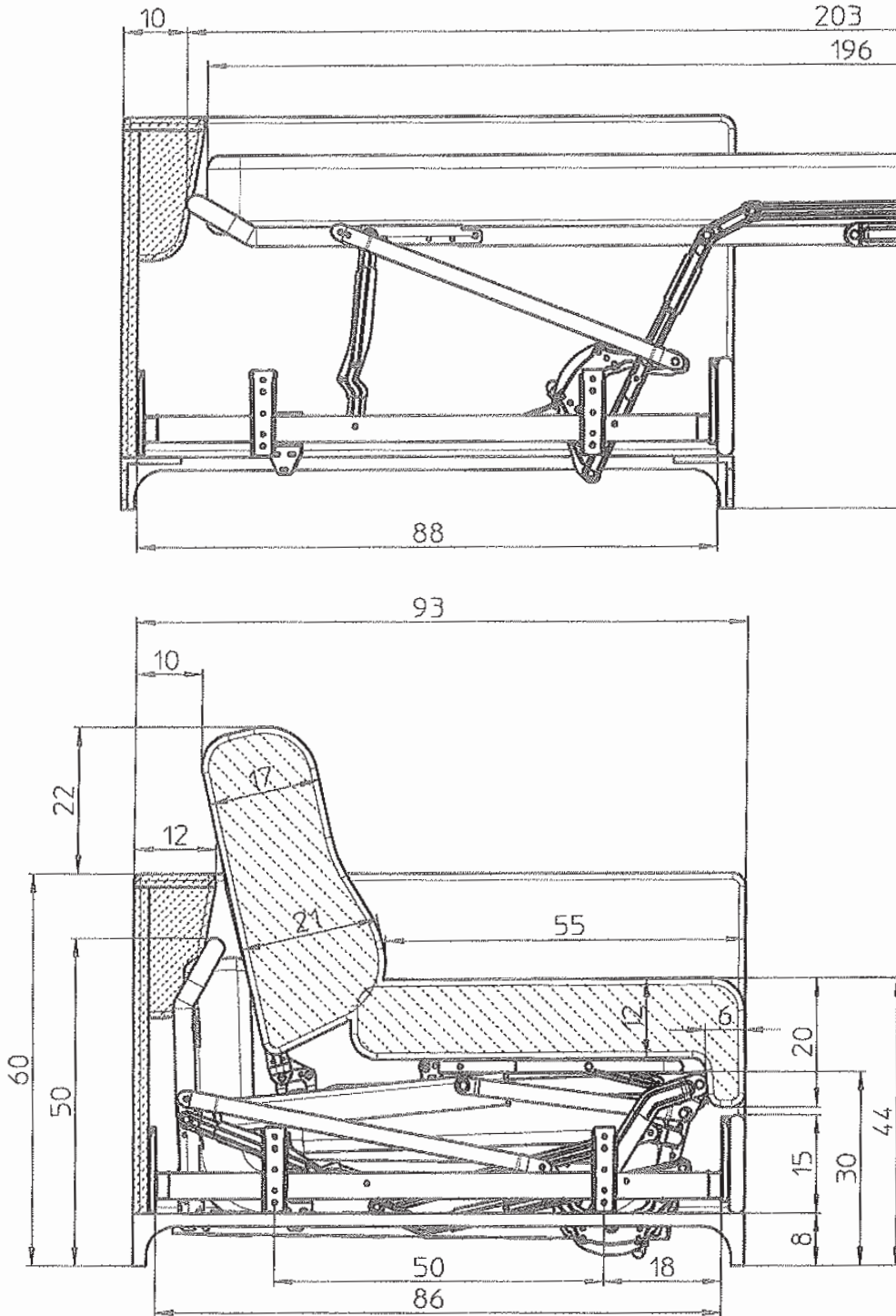
Gold Coast
23 Central Drive
Burleigh Heads QLD 4220
p: (07) 5593 8288
f: (07) 5593 8422

South Australia
27 Conmurra Avenue
Edwardstown SA 5039
p: (08) 8277 7733
f: (08) 8277 7633



Parkinson & Mann
Western Australia
51 King Edward Road
Osborne Park WA 6017
p: (08) 9244 4433
f: (08) 9446 8989

REMUS SOFA BED



A	B	width of mattress
	with kd sleeves	
139	157	133

measurements in cm

12 : foam
12 : spring

belt

SHANN
A U S T R A L I A



Parkinson & Mann
Western Australia
51 King Edward Road
Osborne Park WA 6017
p: (08) 9244 4433
f: (08) 9446 8989

South Australia
27 Conmura Avenue
Edwardstown SA 5039
p: (08) 8277 7733
f: (08) 8277 7633

Gold Coast
23 Central Drive
Burleigh Heads QLD 4220
p: (07) 5593 8288
f: (07) 5593 8422

Queensland
1/223-225 Ewing Road
Woodridge QLD 4114
p: (07) 3808 7277
f: (07) 3808 7544

New South Wales
13 Toohy Road
Wetherill Park NSW 2164
p: (02) 9756 2466
f: (02) 9756 2270

Victoria
2/23 Bell Street
Preston Vic 3072
p: (03) 8480 0800
f: (03) 8480 0829